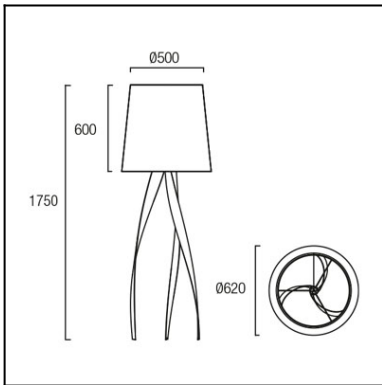


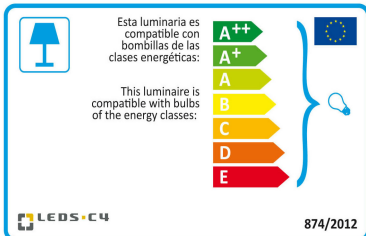
Design by Ramon Valls



The photograph may not match the reference exactly. Please read the product description to identify the finish.



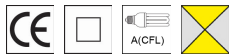
[Download photometric file .ldt / .ies](#)



[Click on image to download energy label](#)

### TECHNICAL CHARACTERISTICS

Type:	Floor lamp
Adjustable:	Adjustable $\pm 15^\circ$ on the vertical axis
IP Protection degrees:	IP20
Light source 1:	1 x E27 30W Maximum lamp length: 195.00 mm Maximum lamp diameter: 60.00 mm
Total power consumption (W):	30
Voltage / Frequency:	220-240V/50-60Hz
Warranty (Years):	2
Units per box:	1
Net Weight (Kg):	3.29
EAN:	8435381408381



### MATERIALS / FINISHES

<b>Structure material:</b>	Aluminium	<b>Diffuser material:</b>	Fabric shade
<b>Structure finish:</b>	Matt white	<b>Diffuser finish:</b>	Grey

71-1759-BW-BW



Accessory for transit areas

---

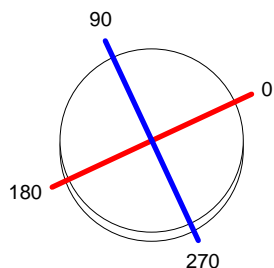
**Structure material:** Steel  
**Structure finish:** Matt white

IP20

<b>Luminaire</b>		<b>Measur.</b>		<b>Lamp</b>	
Code	25-1824-BW-T002	Code	25-1824-BW-T002	Code	DLX EL FCY 18W827E27
Name	Pie ESTRUC 18W TC N193 T002	Name	Pie ESTRUC 18W TC N193 T002	Number	1
Line	Eulumdat	Date	22-07-2013	Position	
Efficiency	49.03%	Coordinate system	CG	Total Flux	1100.00 lm
Maximum value	121.85 cd	Position	C=0.00 G=140.00	Asymmetrical	
Round Luminaire	Diam.	620 mm	Height	600 mm	
Round Luminous Area	Diam.	620 mm	Height	600 mm	
Horizontal Luminous Area	0.301907 m2	Emitting area on Plane 180°	0.372000 m2		
Emitting area on Plane 0°	0.372000 m2	Emitting area on Plane 270°	0.372000 m2		
Emitting area on Plane 90°	0.372000 m2	Glare area at 76°	0.433988 m2		
Symmetry Type	Asymmetrical	Maximum Gamma Angle	180		
Measurement Distance	0.00	Measurement Flux	1100.00 lm		
Operator	Asselum T2	Source voltage			
Temperature	25.00 °C	Source current			
Humidity	60.00 %	Photocell			
Notes					

Luminaire Lamps						
Line	Code	Name	Flux [lm]	Pow. [W]	Q.ty	
Eulumdat	DLX EL FCY 18W827E27	DLX EL FCY 18W827E27 - 18.00 W	1100.00	18.00	1	
C.I.E.	48 83 96 44 49	D DIN 5040				
F UTE	0.21 E + 0.28 T	B NBN				
		C32				
		BZ 5 / 1 / BZ 4				

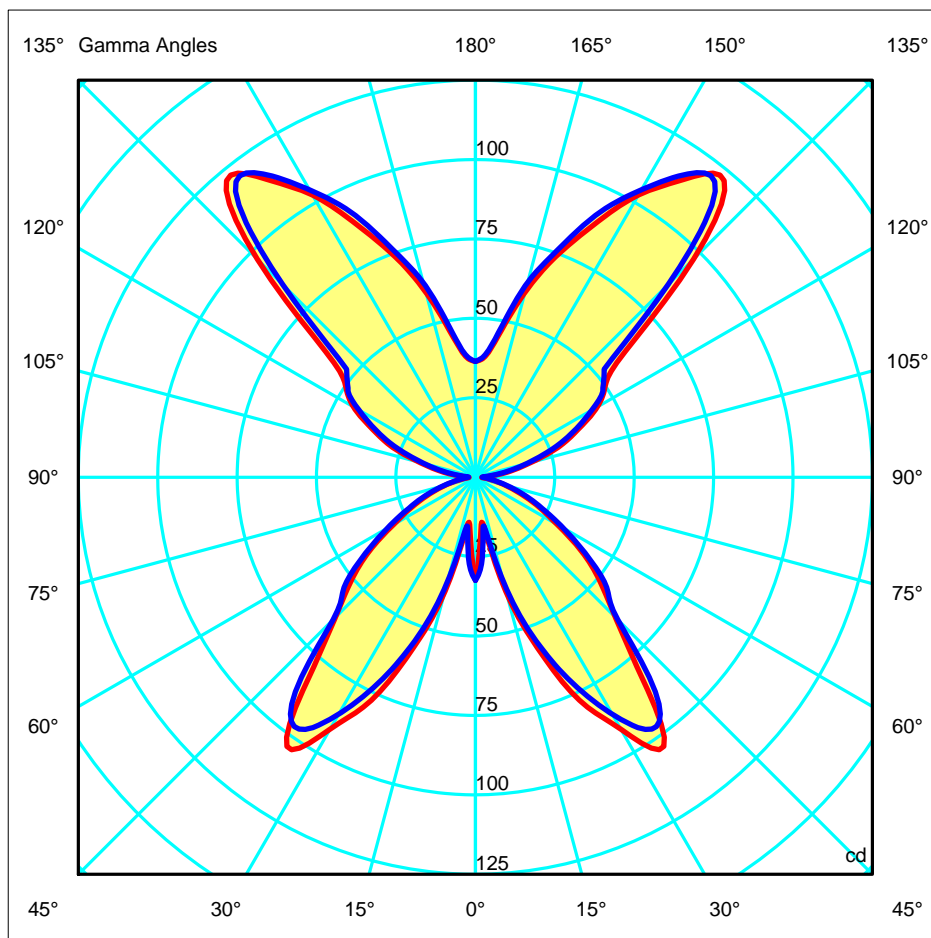
Diam=620mm

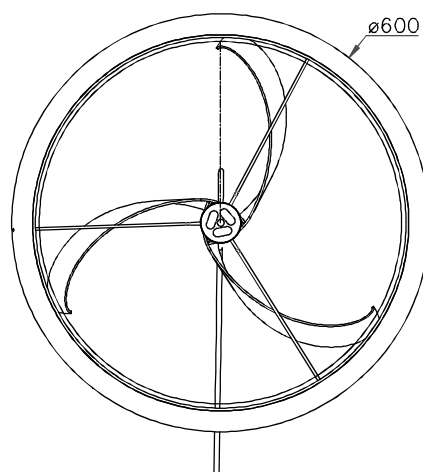
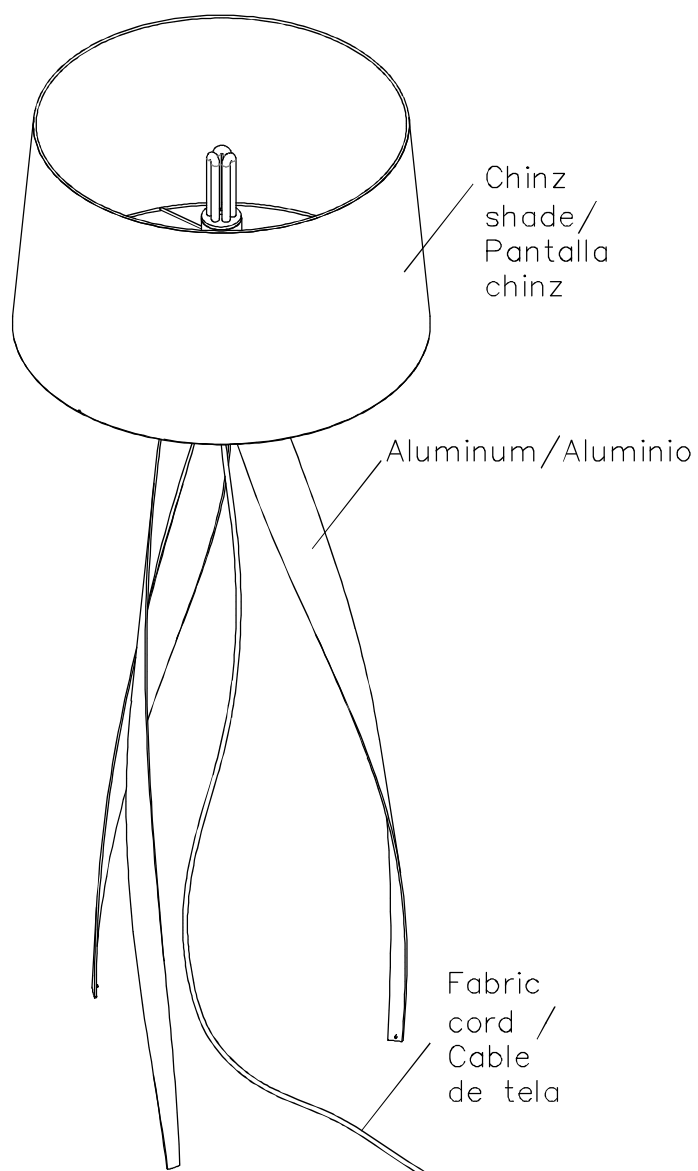


C Halfplanes

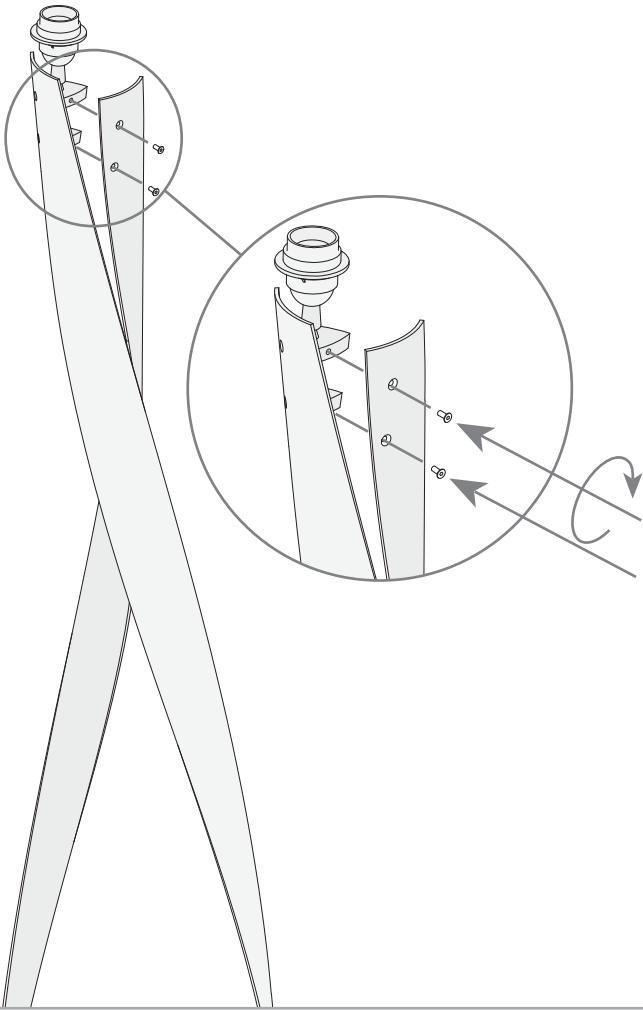
180.0 — 0.0  
270.0 — 90.0

ULOR 27.66 %  
DLOR 21.37 %  
RN 56.41 %

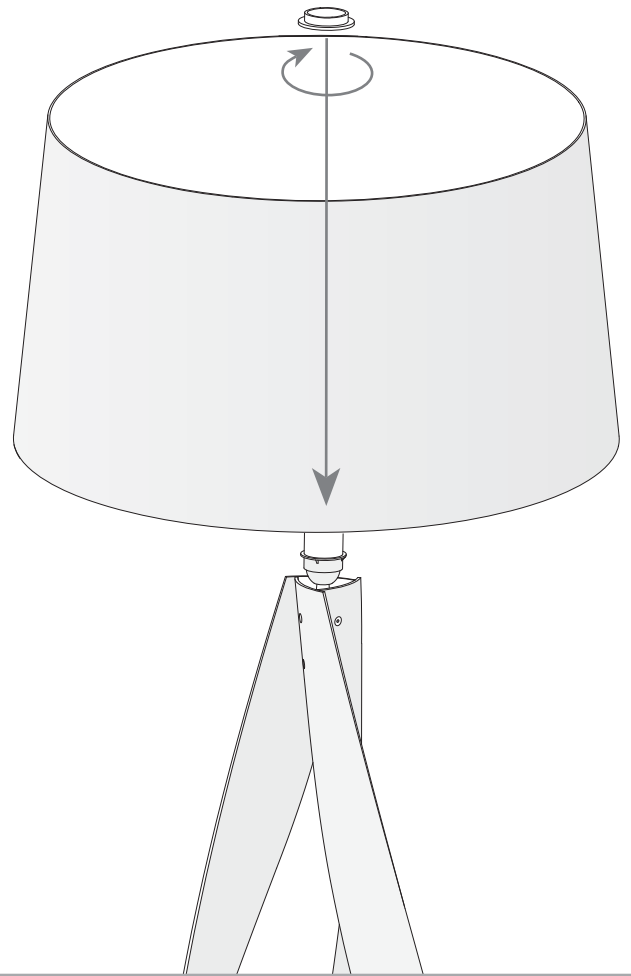




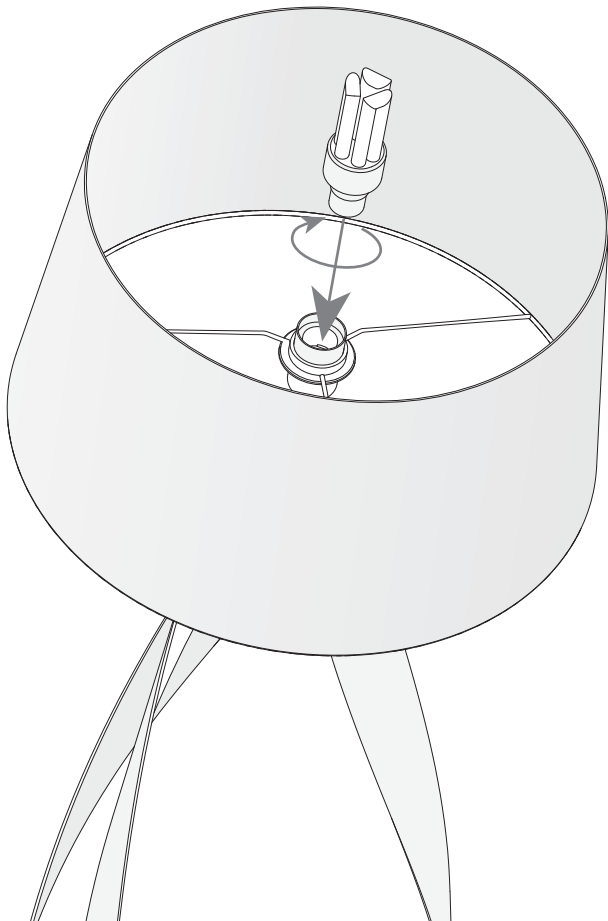
1



2



3



4

