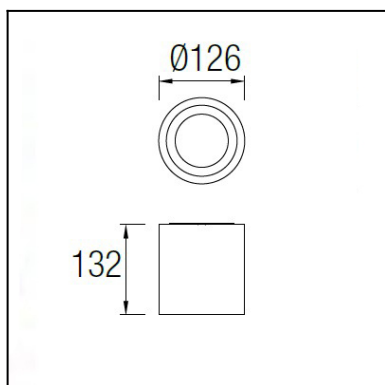
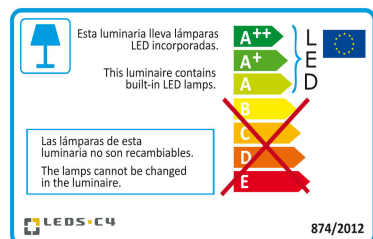




The photograph may not match the reference exactly. Please read the product description to identify the finish.



[Download photometric file .ldt / .ies](#)



[Click on image to download energy label](#)

TECHNICAL CHARACTERISTICS

Type:	Ceiling fixture
IP Protection degrees:	IP65
IK Protection degrees:	IK07
Light source 1:	1 x LED Cree 12W Warm White - 3000K 1290 lm ^(N) CRI 80
Total power consumption (W):	17.6W
Voltage / Frequency:	100-240V/50-60Hz
Warranty (Years):	2
Option to extend the guarantee (Years):	No



MATERIALS / FINISHES

Structure material:	High purity aluminium	Diffuser material:	Glass
Structure finish:	Urban grey	Diffuser finish:	Transparent

GEAR

Multi-voltage electronic gear included (100-240V / 50-60Hz)

Lm^(N): Nominal flow of light in actual working conditions. Its actual flow will depend on the environmental conditions and the efficiency of the optics and/or diffuser.

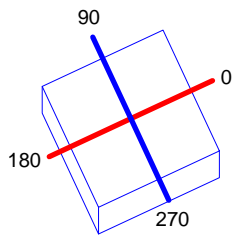
Leds-c4 reserves the right to make the necessary technical changes they deem adequate, in order to improve the features of the product.

Please consult the sales team to clarify any doubt.

Luminaire		Measur.		Lamp		
Code	15-9790	Code	15-9790	Code	LED	
Name	15-9790	Name	15-9790	Number	1	
Line	IESNA-1995	Date	20-03-2015	Position		
Efficiency	100.00%	Coordinate system	CG	Total Flux	1117.90 lm	
Maximum value	850.73 cd	Position	C=0.00 G=0.00	Asymmetrical		
Rectangular Luminaire	Length	126 mm	Width	126 mm	Height	132 mm
Rectangular Luminous Area	Length	126 mm	Width	126 mm	Height	132 mm
Horizontal Luminous Area	0.015876 m2	Emitting area on Plane 180°		0.016632 m2		
Emitting area on Plane 0°	0.016632 m2	Emitting area on Plane 270°		0.016632 m2		
Emitting area on Plane 90°	0.016632 m2	Glare area at 76°		0.019979 m2		
Symmetry Type	Asymmetrical	Maximum Gamma Angle		90		
Measurement Distance	0.00	Measurement Flux		1117.90 lm		
Operator		Source voltage				
Temperature	25.00 °C	Source current				
Humidity	60.00 %	Photocell				
Notes						

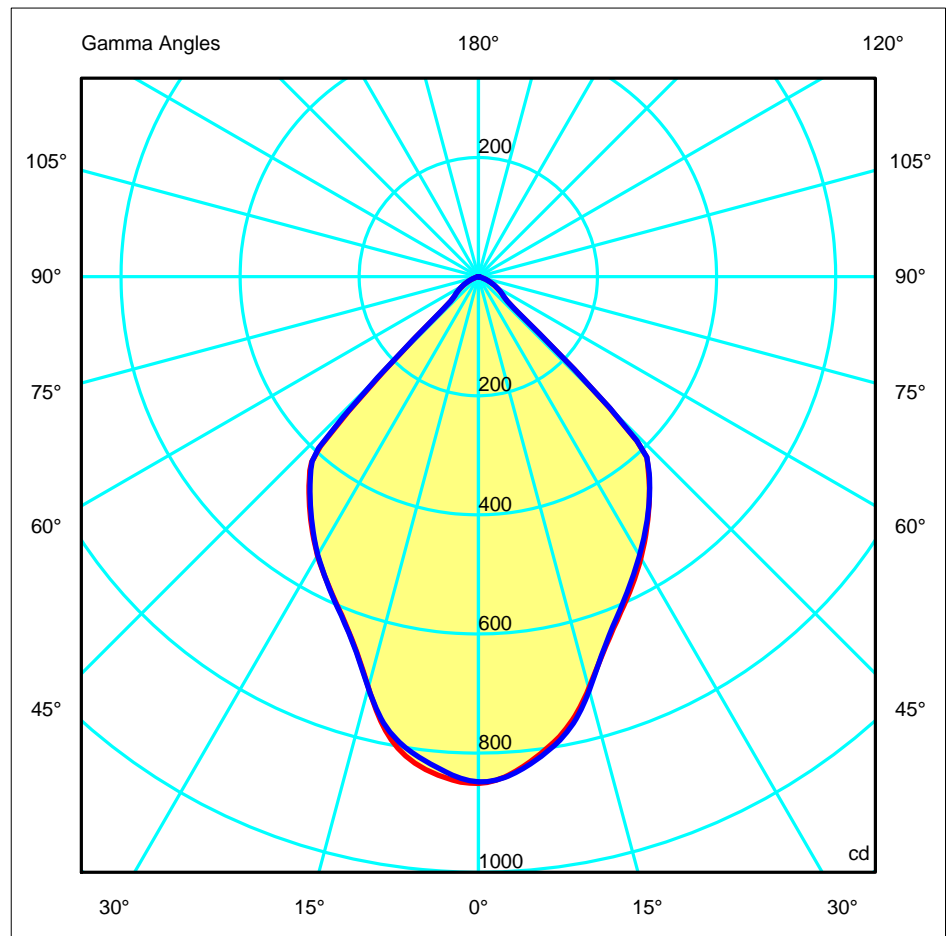
Luminaire Lamps						
Line	Code	Name	Flux [lm]	Pow. [W]	Q.ty	
IESNA-1995	LED	15-9790 - 17.60 W	1117.90	17.60	1	
C.I.E.	80 98 100 100 100	D DIN 5040				A60
F UTE	1.00 B	B NBN				BZ 1

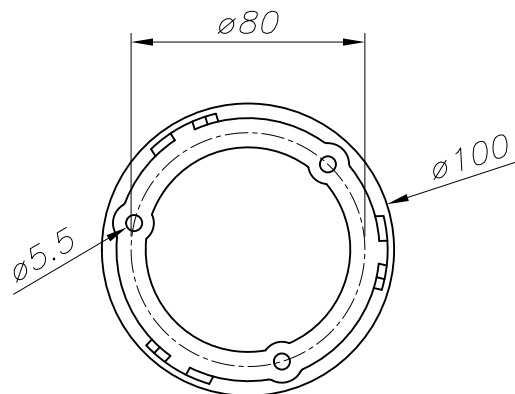
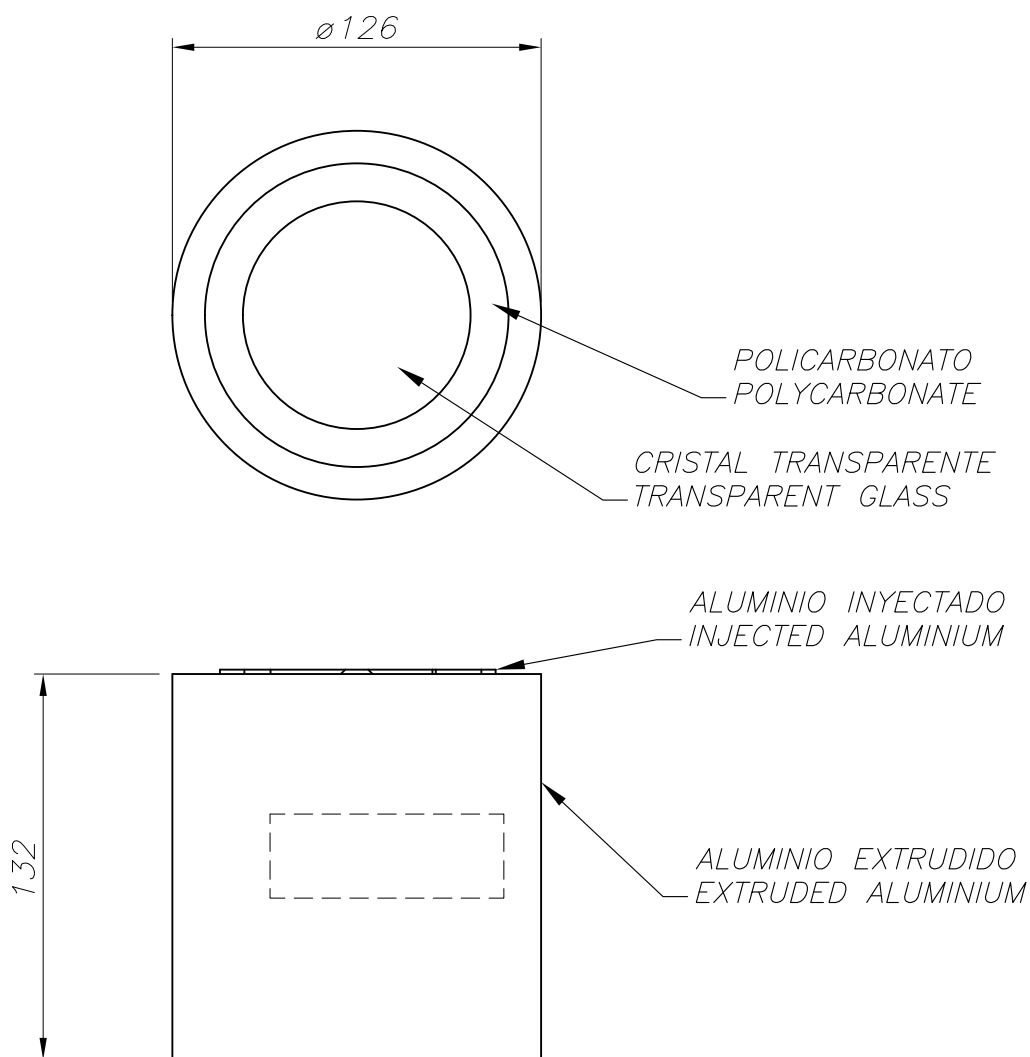
126mm x 126mm



C Halfplanes
 180.0 — 0.0
 270.0 — 90.0

ULOR 0.00 %
 DLOR 100.00 %
 RN 0.00 %





PLANTILLA DE INSTALACIÓN
INSTALLATION TEMPLATE

