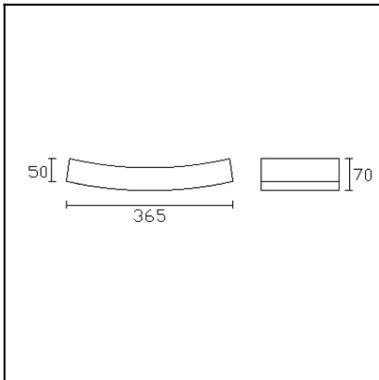
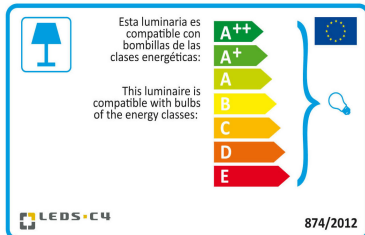




The photograph may not match the reference exactly. Please read the product description to identify the finish.



[Download photometric file .ldt / .ies](#)



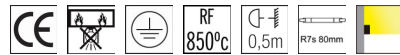
[Click on image to download energy label](#)

Description

Downlights suitable for recessed installation on ceilings. Body produced in gypsum with steel fixation clips. Suitable for halogen lamps and LED lights. Different models according to shape, rotation options and number of bulbs. Complete architecture integration with the use of thermoplastic paint. Option of including the GU10 lampholder as an accessory.

TECHNICAL CHARACTERISTICS

Type:	Wall fixture
IP Protection degrees:	IP20
Light source 1:	1 x R7s 100W Maximum lamp length: 78.00 mm
Total power consumption (W):	100
Voltage / Frequency:	220-240V/50-60Hz
Warranty (Years):	2
Units per box:	6
Net Weight (Kg):	2.21
EAN:	8435381404864



MATERIALS / FINISHES

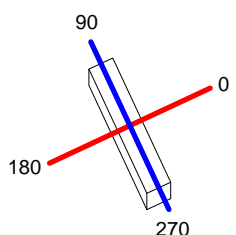
Structure material: Plaster

Structure finish: White

Luminaire		Measur.		Lamp	
Code	05-1795	Code	05-1795	Code	Halogen
Name	WALL LIGHT	Name	WALL LIGHT	Number	1
Line	Eulumdat	Date	16-11-2013	Position	
Efficiency	25.96%	Coordinate system	CG	Total Flux	1200.00 lm
Maximum value	149.70 cd	Position	C=0.00 G=62.00	Asymmetrical	
Rectangular Luminaire	Length	365 mm	Width	70 mm	Height
Rectangular Luminous Area	Length	365 mm	Width	70 mm	Height
Horizontal Luminous Area	0.025550 m2	Emitting area on Plane 180°		0.018250 m2	
Emitting area on Plane 0°	0.018250 m2	Emitting area on Plane 270°		0.003500 m2	
Emitting area on Plane 90°	0.003500 m2	Glare area at 76°		0.023889 m2	
Symmetry Type	Asymmetrical	Maximum Gamma Angle		180	
Measurement Distance	0.00	Measurement Flux		1200.00 lm	
Operator		Source voltage			
Temperature	25.00 °C	Source current			
Humidity	60.00 %	Photocell			
Notes					

Luminaire Lamps					
Line	Code	Name	Flux [lm]	Pow. [W]	Q.ty
Eulumdat	Halogen	Halogen - 86.00 W	1200.00	86.00	1
C.I.E.	18 44 75 70 26	D DIN 5040		B11	
F UTE	0.18 J + 0.08 T	B NBN		BZ 9	

365mm x 70mm



C Halfplanes

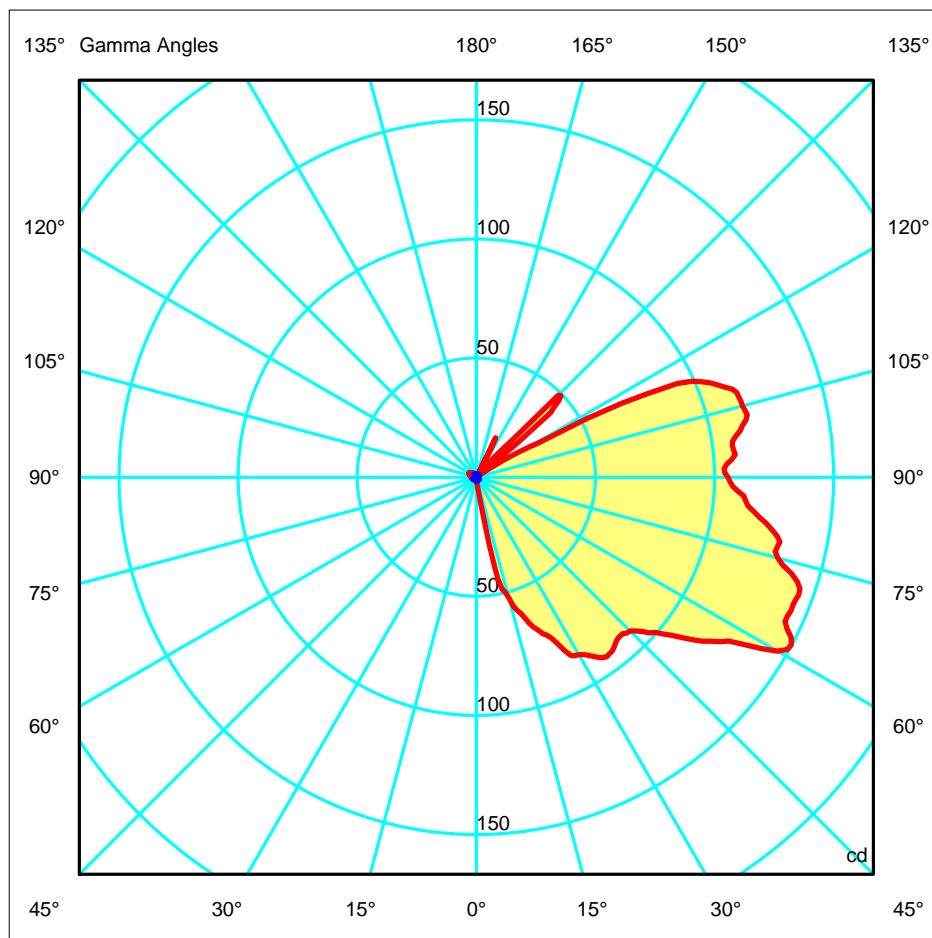
180.0 — 0.0

270.0 — 90.0

ULOR 7.80 %

DLOR 18.16 %

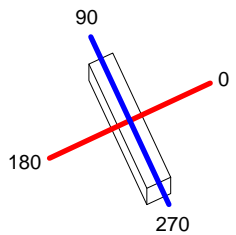
RN 30.05 %



Luminaire		Measur.		Lamp		
Code	05-1795_C	Code	05-1795 (AMB CONO)	Code	Halogen	
Name	WALL LIGHT	Name	WALL LIGHT	Number	1	
Line	Eulumdat	Date	16-11-2013	Position		
Efficiency	25.46%	Coordinate system	CG	Total Flux	1200.00 lm	
Maximum value	149.70 cd	Position	C=0.00 G=152.00	Asymmetrical		
Rectangular Luminaire	Length	365 mm	Width	70 mm	Height	50 mm
Rectangular Luminous Area	Length	365 mm	Width	70 mm	Height	50 mm
Horizontal Luminous Area	0.025550 m2	Emitting area on Plane 180°		0.018250 m2		
Emitting area on Plane 0°	0.018250 m2	Emitting area on Plane 270°		0.003500 m2		
Emitting area on Plane 90°	0.003500 m2	Glare area at 76°		0.023889 m2		
Symmetry Type	Asymmetrical	Maximum Gamma Angle		180		
Measurement Distance	0.00	Measurement Flux		1200.00 lm		
Operator		Source voltage				
Temperature	25.00 °C	Source current				
Humidity	60.00 %	Photocell				
Notes						

Line		Code		Luminaire Lamps		Flux [lm]	Pow. [W]	Q.ty
Eulumdat		Halogen		Name				
				Halogen - 86.00 W		1200.00	86.00	1
C.I.E.	34 63 84 3 25			D DIN 5040	--			
F UTE	0.01 H + 0.25 T			B NBN	BZ 6			

365mm x 70mm



C Halfplanes

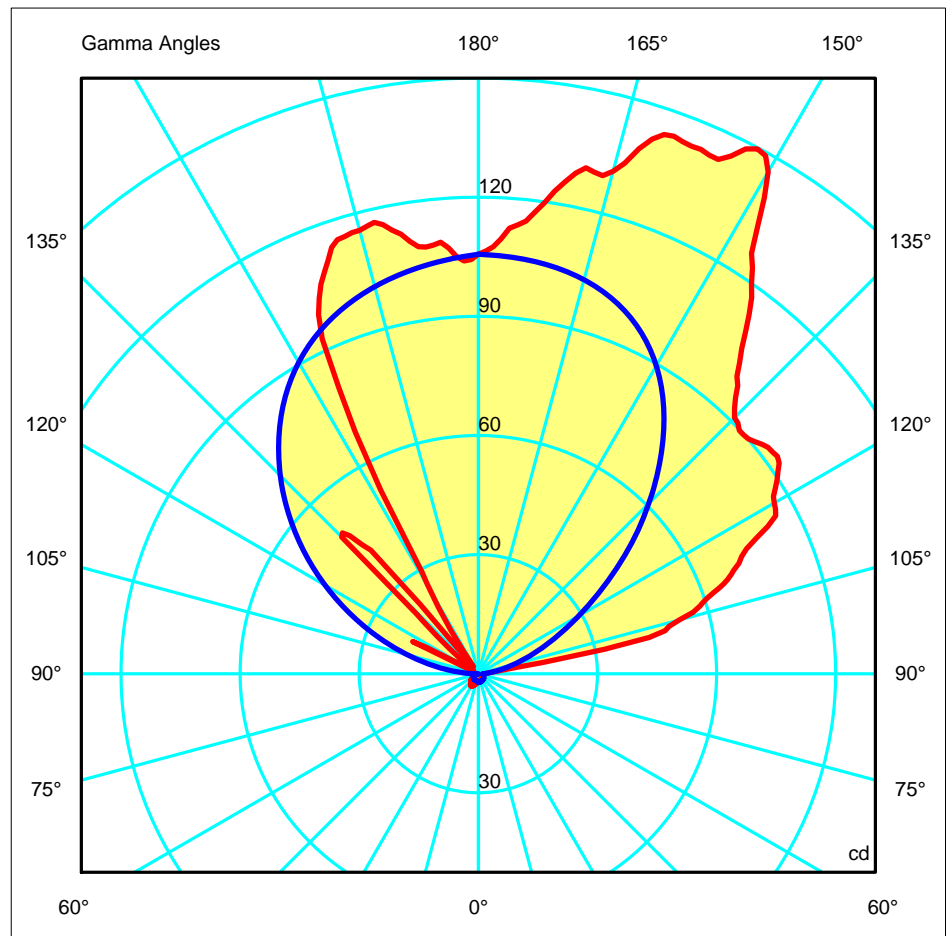
180.0 — 0.0

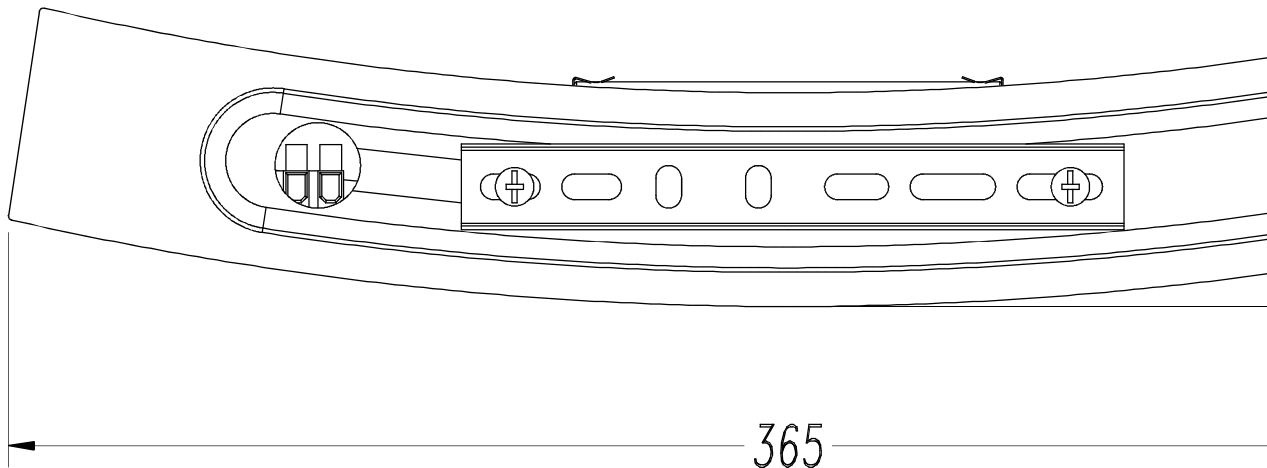
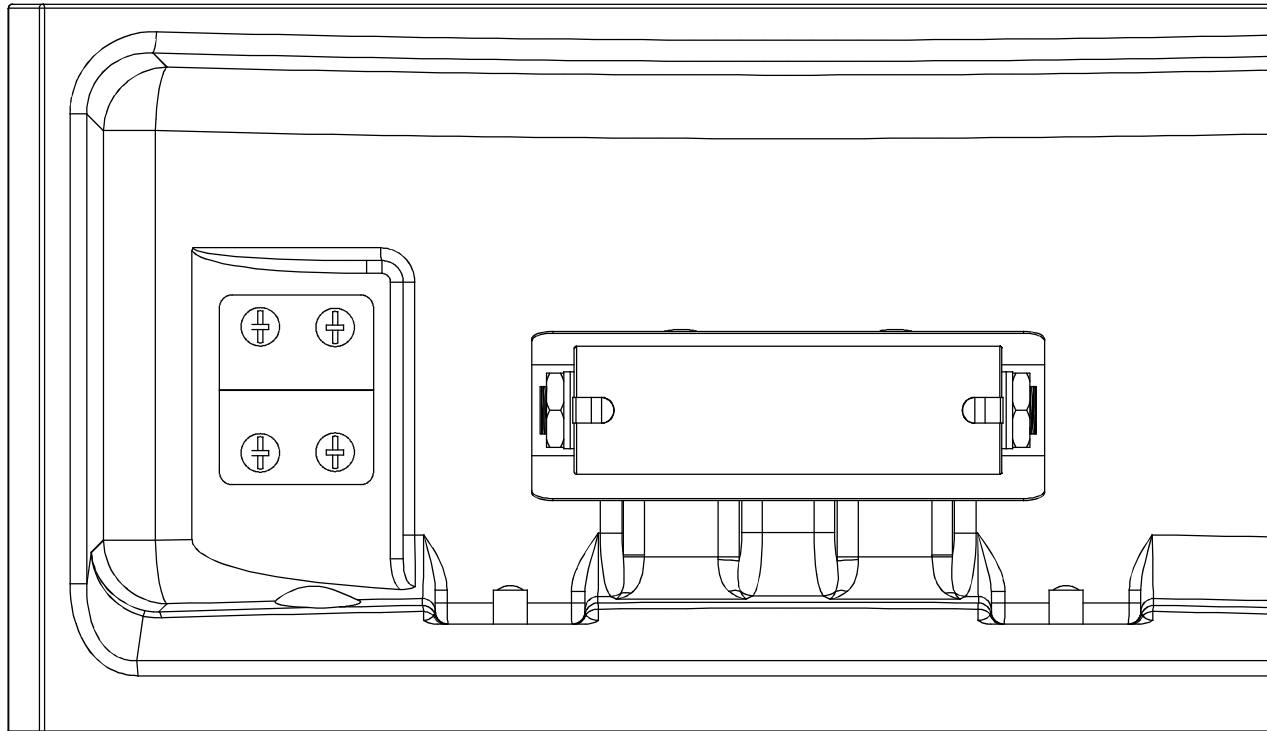
270.0 — 90.0

ULOR 24.65 %

DLOR 0.82 %

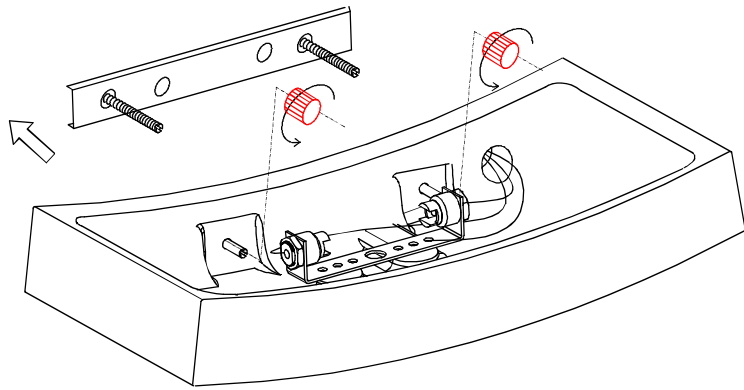
RN 96.80 %



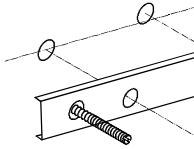
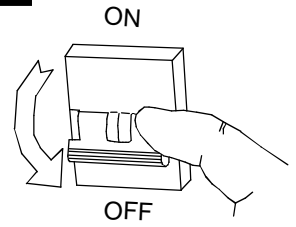


365

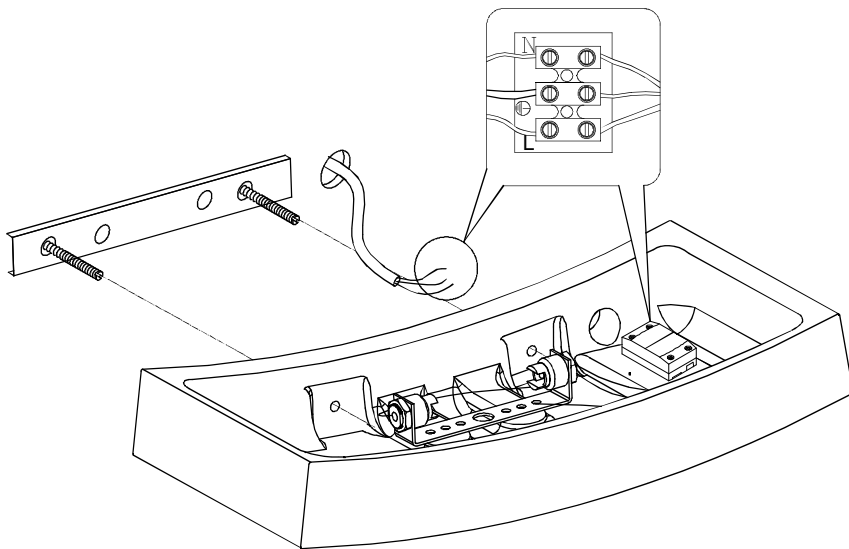
1



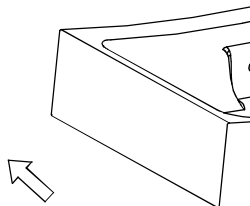
2



3



4



5

6