

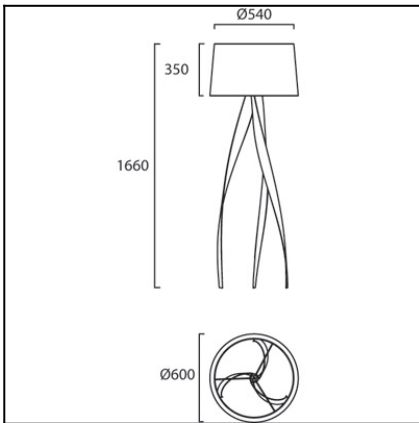
MEDUSA

25-1823-BW-T003

Design by Ramon Valls



The photograph may not match the reference exactly. Please read the product description to identify the finish.



TECHNICAL CHARACTERISTICS

| | |
|------------------------------------------------|------------------|
| Type: | Floor lamp |
| Adjustable $\pm 15^\circ$ on the vertical axis | |
| IP Protection degrees: | IP20 |
| Lampholder: | 1 x E27 |
| Power (W): | E27 30 |
| Total power consumption (W): | 30 |
| Voltage / Frequency: | 220-240V/50-60Hz |
| Warranty (Years): | 2 |
| Units per box: | 1 |
| Net Weight (Kg): | 3.06 |
| EAN: | 0,00 |



MATERIALS / FINISHES

Structure material: Painted aluminium

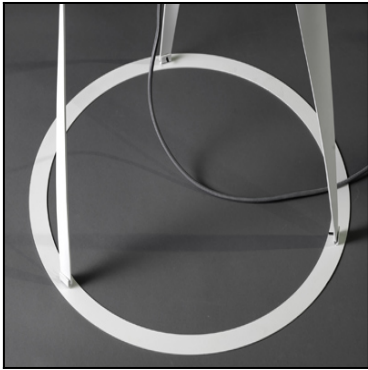
Diffuser material: Methacrylate shade

Structure finish: Off-white

Diffuser finish: White

[Download photometric file .ldt / .ies](#)

71-1759-BW-BW



Structure material:

Steel

Structure finish:

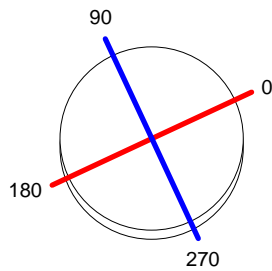
Matt white

IP20

| Luminaire | | Measur. | | Lamp | |
|----------------------------|-----------------------------|-----------------------------|-----------------------------|--------------|----------------------|
| Code | 25-1823-BW-T002 | Code | 25-1823-BW-T002 | Code | DLX EL FCY 18W827E27 |
| Name | Pie ESTRUC 18W TC N192 T002 | Name | Pie ESTRUC 18W TC Tela T002 | Number | 1 |
| Line | - LEDS-C4 | Date | 22-07-2013 | Position | Universal |
| Efficiency | 61.41% | Coordinate system | CG | Total Flux | 1100.00 lm |
| Maximum value | 131.72 cd | Position | C=30.00 G=125.00 | Asymmetrical | |
| Round Luminaire | Diam. | 600 mm | Height | 355 mm | |
| Round Luminous Area | Diam. | 600 mm | Height | 355 mm | |
| Horizontal Luminous Area | 0.282743 m2 | Emitting area on Plane 180° | 0.213000 m2 | | |
| Emitting area on Plane 0° | 0.213000 m2 | Emitting area on Plane 270° | 0.213000 m2 | | |
| Emitting area on Plane 90° | 0.213000 m2 | Glare area at 76° | 0.275075 m2 | | |
| Symmetry Type | Asymmetrical | Maximum Gamma Angle | 180 | | |
| Measurement Distance | 6.44 | Measurement Flux | 917.00 lm | | |
| Operator | Asselum T2 | Source voltage | 230.00 V | | |
| Temperature | 25.00 °C | Source current | PRC | | |
| Humidity | 53.00 % | Photocell | | | |
| Notes | | | | | |

| Luminaire Lamps | | | | | |
|------------------------------|----------------------|--------------------------------|--------------------|----------|------|
| Line | Code | Name | Flux [lm] | Pow. [W] | Q.ty |
| OSRAM 2006 FB,T,G,C,FS,Q,M,D | DLX EL FCY 18W827E27 | DULUX® EL FACILITY 18W/827 E27 | 1100.00 | 18.00 | 1 |
| C.I.E. | 32 79 95 39 61 | D DIN 5040 | D22 | | |
| F UTE | 0.24 I + 0.38 T | B NBN | BZ 6 / 1.25 / BZ 5 | | |

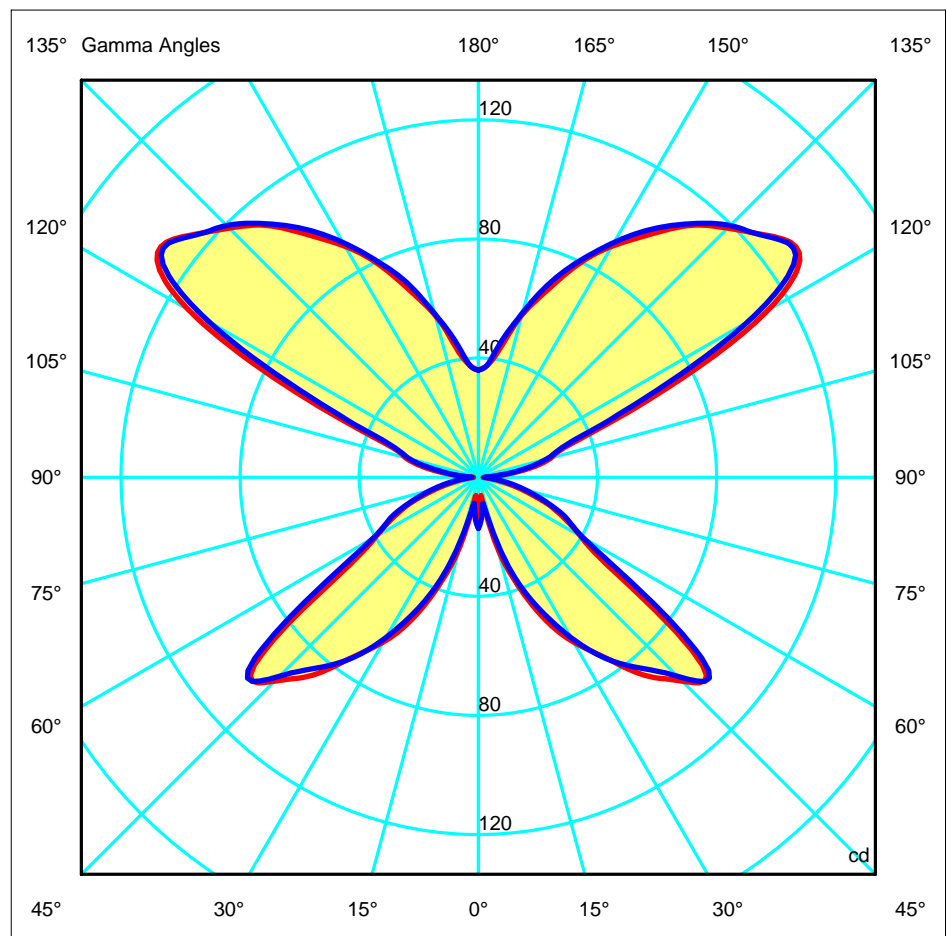
Diam=600mm

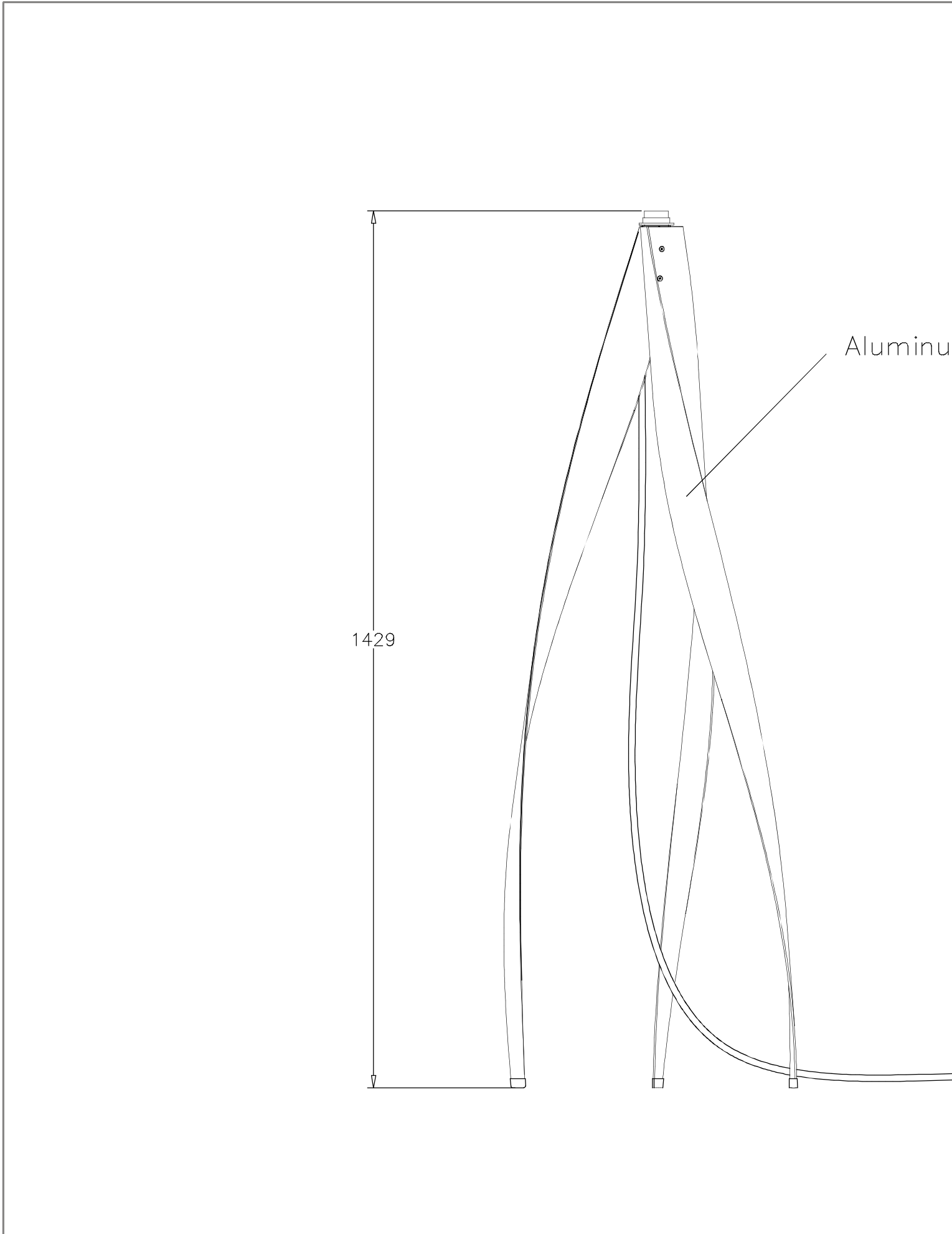
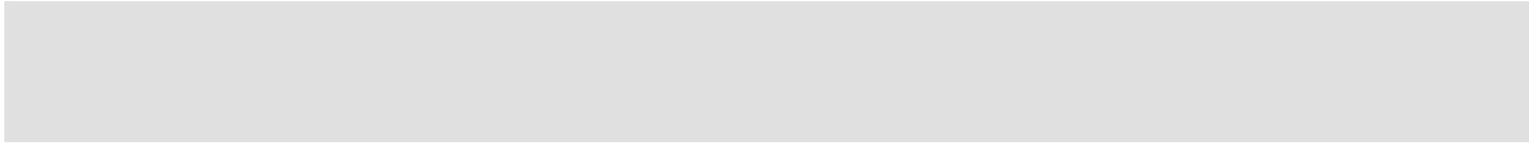


C Halfplanes

180.0 — 0.0
270.0 — 90.0

ULOR 37.58 %
DLOR 23.83 %
RN 61.20 %



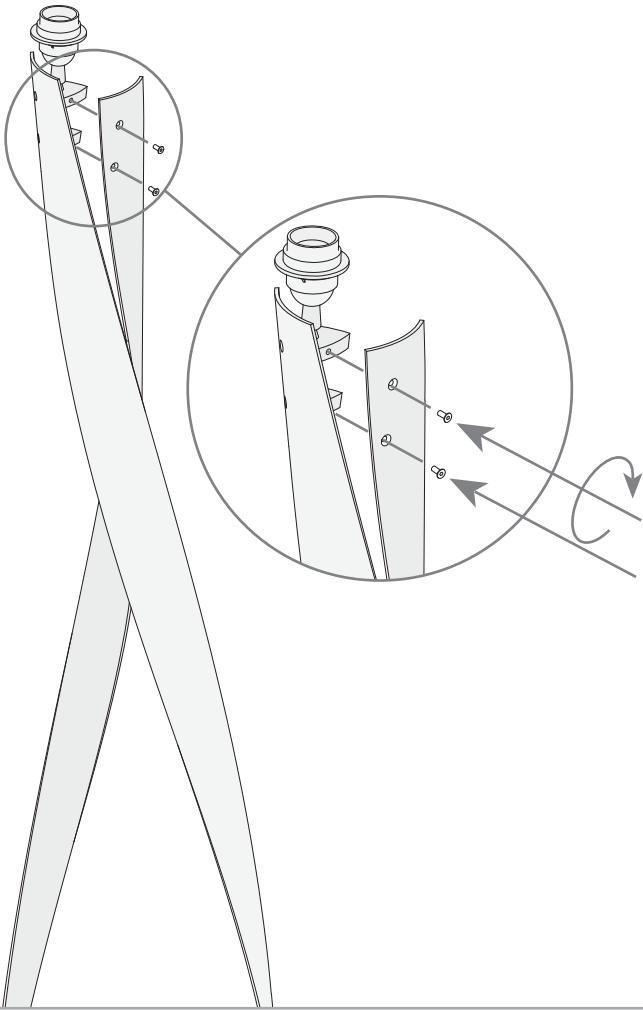


1429

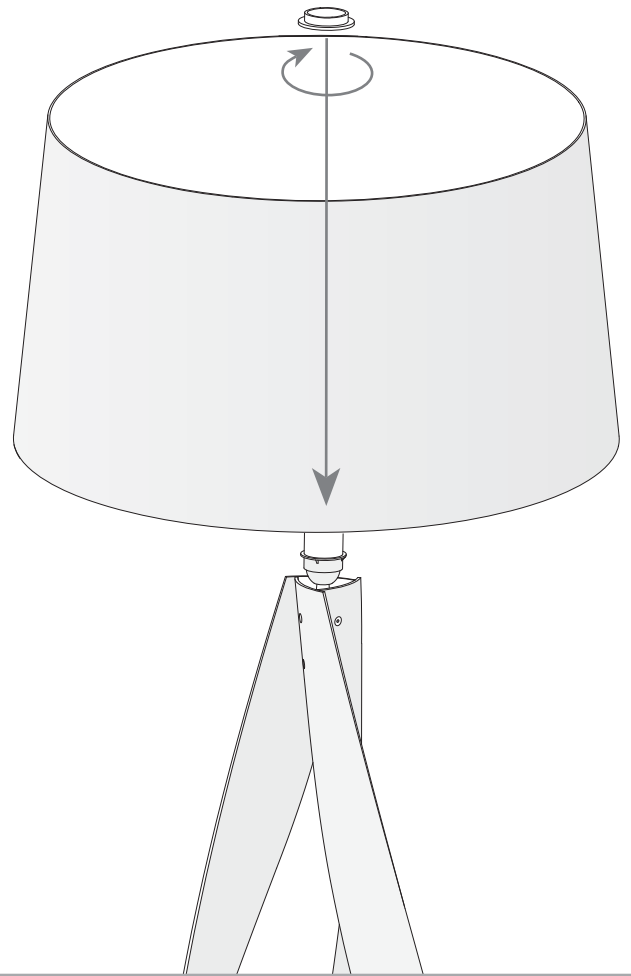
Aluminu

$\varnothing 542$

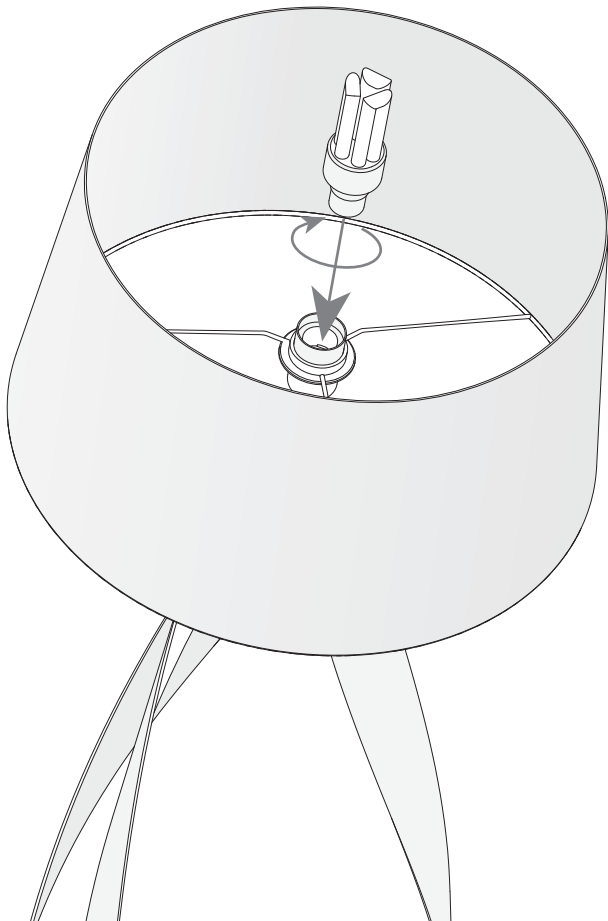
1



2



3



4

